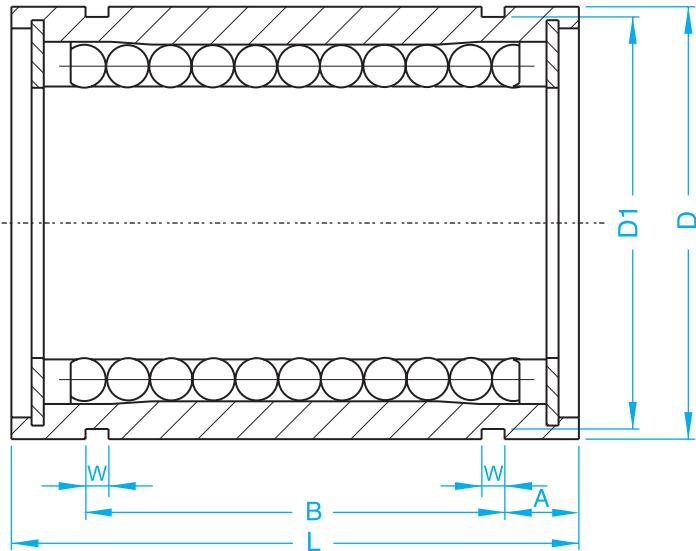
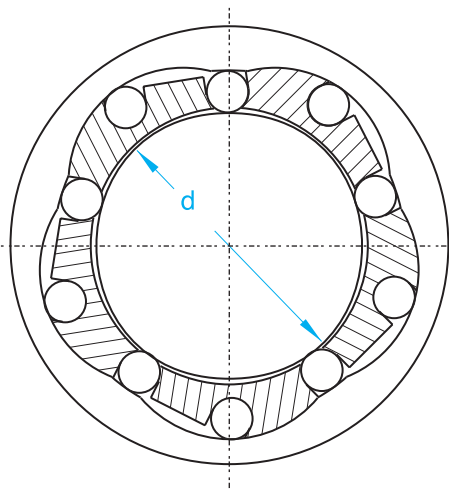


LME series

European Type



Unit : mm

Model No.	Basic Dimension								Load (Kgf)		Weight(g)	
	d	D	D tolerance (μm)	L	L tolerance (μm)	W	D1	B	A	Dynamic load rating (Ca)		Static load rating (Coa)
LME8UU	8	16	0/-8	25		1.1	15.2	16.5	4.25	27	41	20
LME12UU	12	22	0	32	0	1.3	21	22.9	4.55	51	78	41
LME16UU	16	26	-9	36	-22	1.3	24.9	24.9	5.55	58	91	57
LME20UU	20	32	0	45		1.6	30.3	31.5	6.75	88	139	91
LME25UU	25	40	-11	58		1.85	37.5	44.1	6.95	100	159	215
LME30UU	30	47		68	0	1.85	44.5	52.1	7.95	159	279	325
LME40UU	40	62	0	80	-30	2.12	59	60.6	9.7	219	409	705
LME50UU	50	75	-13	100		2.65	72	77.6	11.2	389	808	1130

Note : UU with oil seals in ends